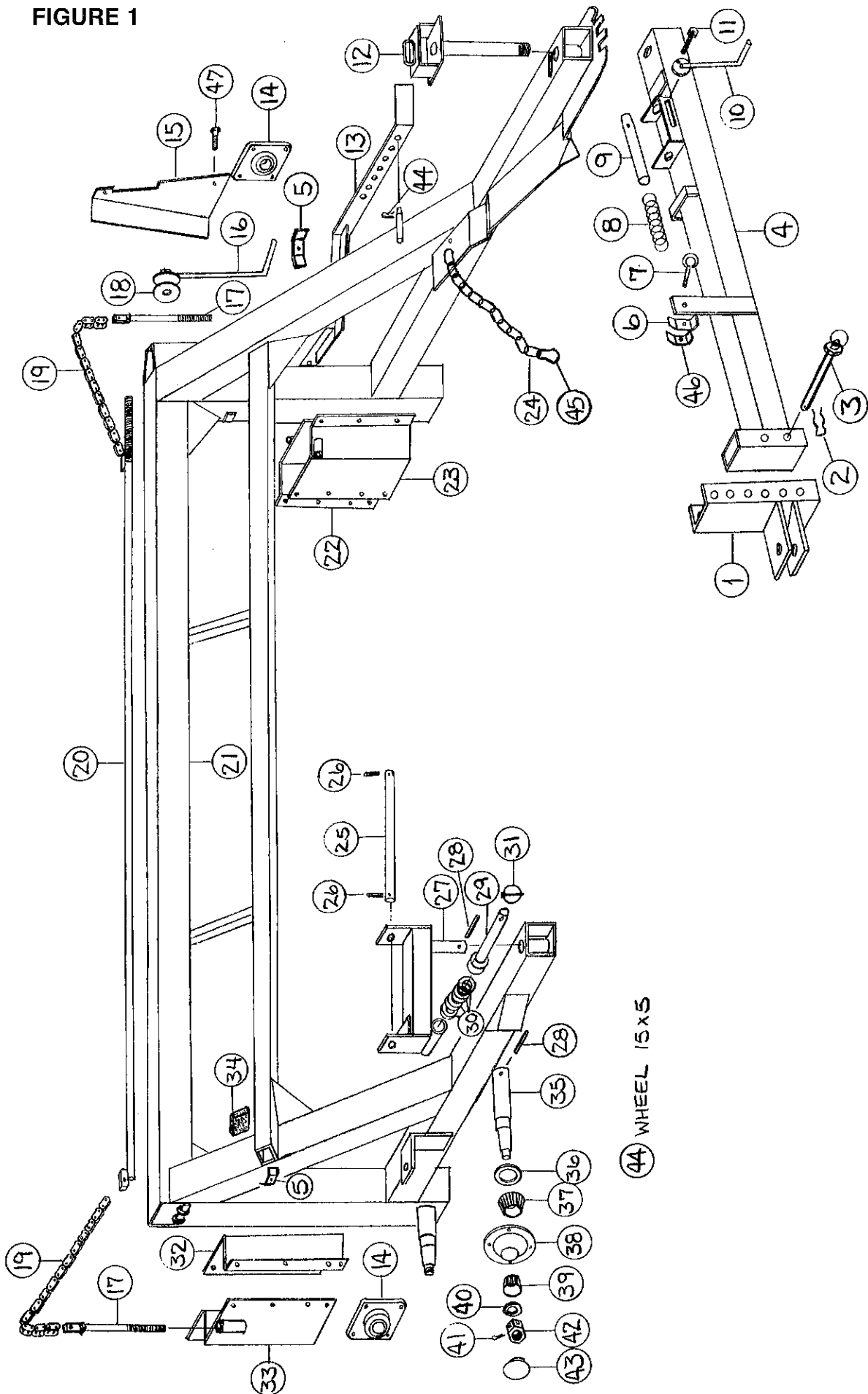




FIGURE 1



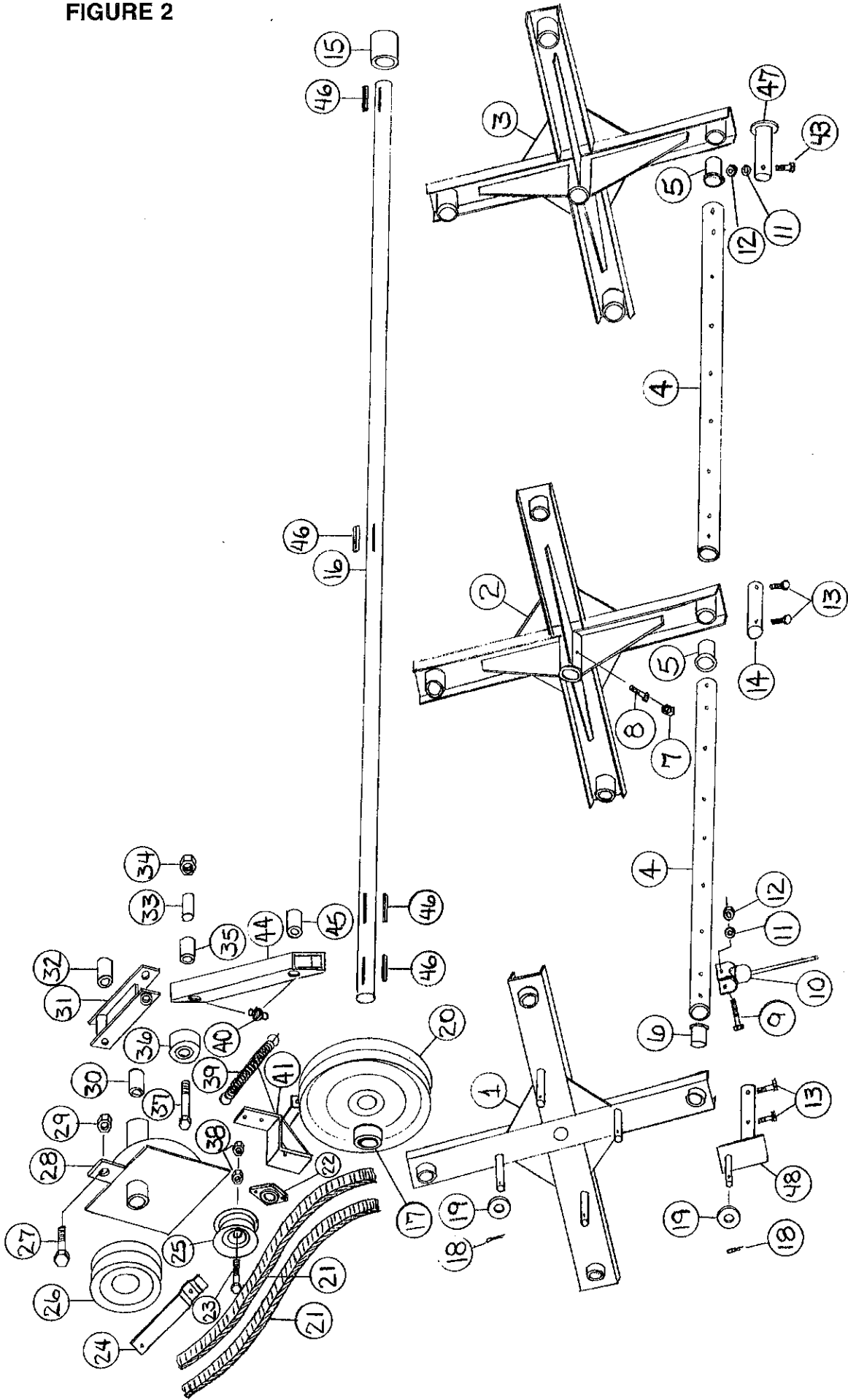
VIEWED FROM FRONT

**FIGURE 1  
MAIN FRAME ASSEMBLY**

ITEM	PART NO.	DESCRIPTION
1.	BFR129	Hitch
2.	ES7	Hair Pin
3.	BFR5	Hitch Pin
4.	T200	Pole
5.	T223	Hose Clamp
6.	HE42	Hose Clamp
7.	BFR319	"I" Bolt
8.	T201	Spring
9.	T202	Pole Latch Pin
10.	T203	Latch Handle
11.	T245	Latch Bolt 3/8" X 3" Gr. 5
12.	T204	Pole Pivot Pin
13.	T205	Tine Pitch Handle
14.	33SV65	Bearing
15.	T206	Drive Belt Shield
16.	T207	Reel Lift Crank
17.	T208	Lifting Bolt
18.	T209	Poly Washer
19.	T210	Lifting Chain
20.	T211	Lifting Shaft
21.	T212	Main Frame
22.	T213	Left Outer Reel Slide
23.	T214	Left Inner Reel Slide
24.	T215	Safety Chain
25.	T216	Yoke Pin
26.	3G22	Roll Pin
27.	T217	Yoke
28.	12V59	Roll Pin 3/8" X 2-3/4"
29.	T218	Width Adjuster
30.	T219	Adjustment Spacer
31.	F56	Clip Pin
32.	T220	Right Inner Reel Slide
33.	T221	Right Outer Reel Slide
34.	BFR344	Foam Insert
35.	T222	Spindle
36.	BFR57	Seal
37.	BFR58	Inner Bearing
*	BFR59	Inner Race
38.	BFR60	Hub
39.	BFR62	Outer Bearing
*	BFR61	Outer Race
40.	BFR63	Washer
41.	BFR65	Cotter Pin
42.	BFR64	Nut
43.	BFR66	Hub Cap
44.	BFR67	Wheel 15 X 5
45.	BFR295	Snap Hook
46.	23N67	Hose Clamp
47.	12V66	Bolt 5/16" X 3/4"

**NOTE:** \* (MEANS NOT SHOWN)

FIGURE 2

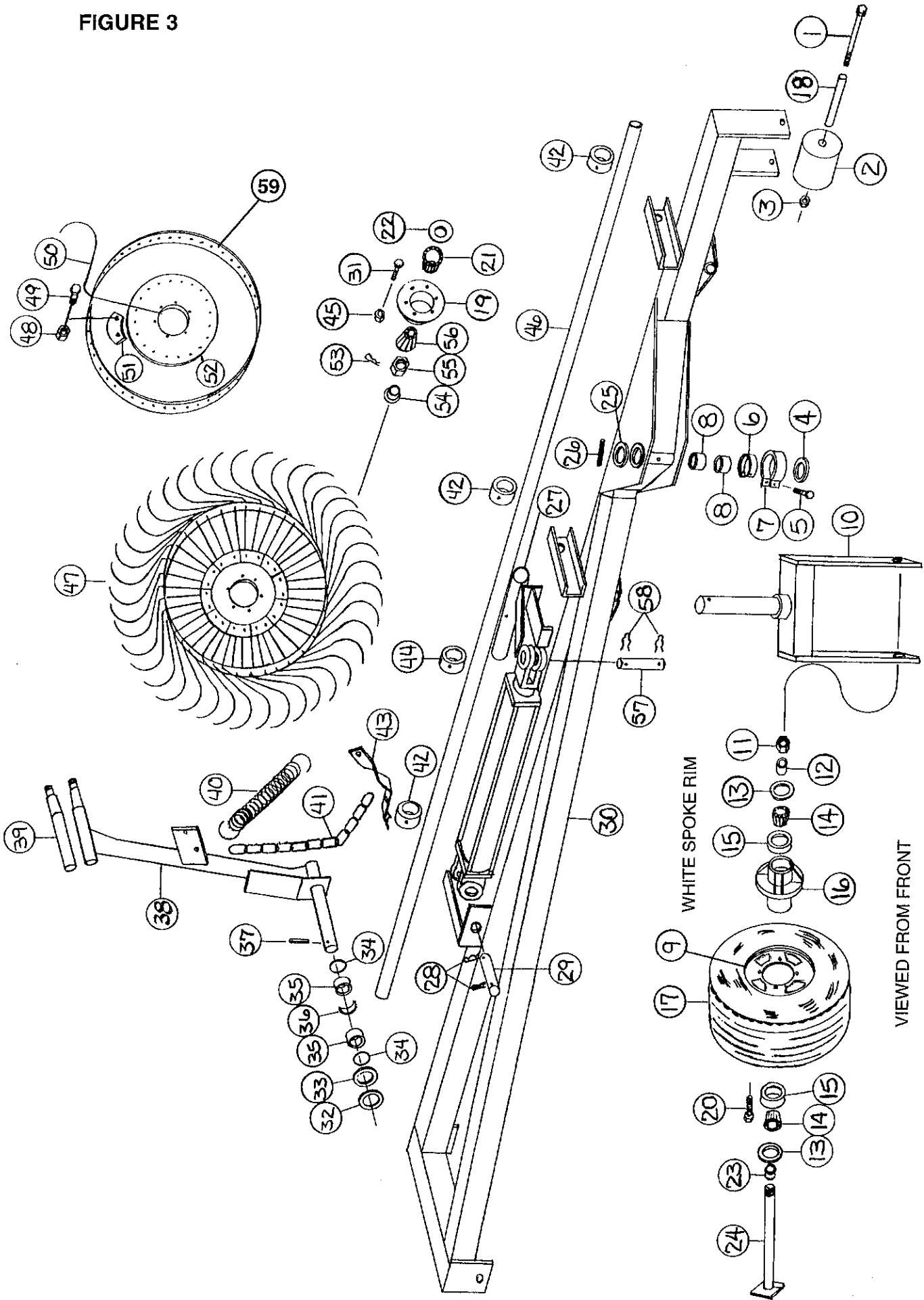


VIEWED FROM BACK

**FIGURE 2  
REEL ASSEMBLY**

ITEM	PART NO.	DESCRIPTION
1.	T74	LH Reel Cross
2.	T75	Center Reel Cross
3.	T76	RH Reel Cross
4.	T784-8	Reel Pipe
*	T784-9	Reel Pipe
5.	T78	Bronze Bushing 1-1/4" ID (8)
6.	T79	Bronze Bushing 1-1/4" ID (4)
7.	T116	Nut 5/16"
8.	T115	Setscrew for Reel
9.	T123	Bolt 3/8" X 2-1/4" Gr. 5
10.	T82	Rubber Mounted Teeth
11.	B68	Lock Washer 3/8"
12.	K60	Nut 3/8"
13.	T114	Bolt 3/8" X 2" Gr. 5
14.	T85	Center Stub Shaft
15.	T246	Spacer 3"
16.	T224	Reel Shaft
17.	T254	Spacer 1-1/4"
18.	T72	Cotter Pin
19.	T73	Washer
20.	T225	Pulley
21.	T261	V-Belt
22.	T40	Bearing
23.	17G43	Bolt 1/2" X 3-1/2"
24.	T227	Drive Belt Tightener
25.	K156	Pulley
26.	T252	Pulley
27.	T62	Bolt 5/8" X 1-1/2"
28.	T64	Cam Assembly
29.	T60	Nut 5/8" Lock
30.	T63	Bronze Bushing 1-3/8" ID (2)
31.	T59	Cam Short Arm
32.	T58	Bronze Bushing 3/4" ID (4)
33.	T122	Steel Bushing
34.	T60	Nut 5/8" Lock
35.	T52	Bronze Bushing 3/4" ID (8)
36.	T66	Cam Roller Bearing
37.	T65	Bolt 5/8" X 4"
38.	9S17	Nut 1/2" Lock
39.	ST36	Spring
40.	T67	Long Grease Zerk
41.	T228	Bearing Mount
43.	T19	Bolt 3/8" X 2"
44.	T53	Cam Long Arm
45.	T52	Bronze Bushing (8)
46.	T50	Sq. Key 5/16" X 2"
47.	T83	RH Stub Shaft
48.	T80	LH Stub Shaft

FIGURE 3

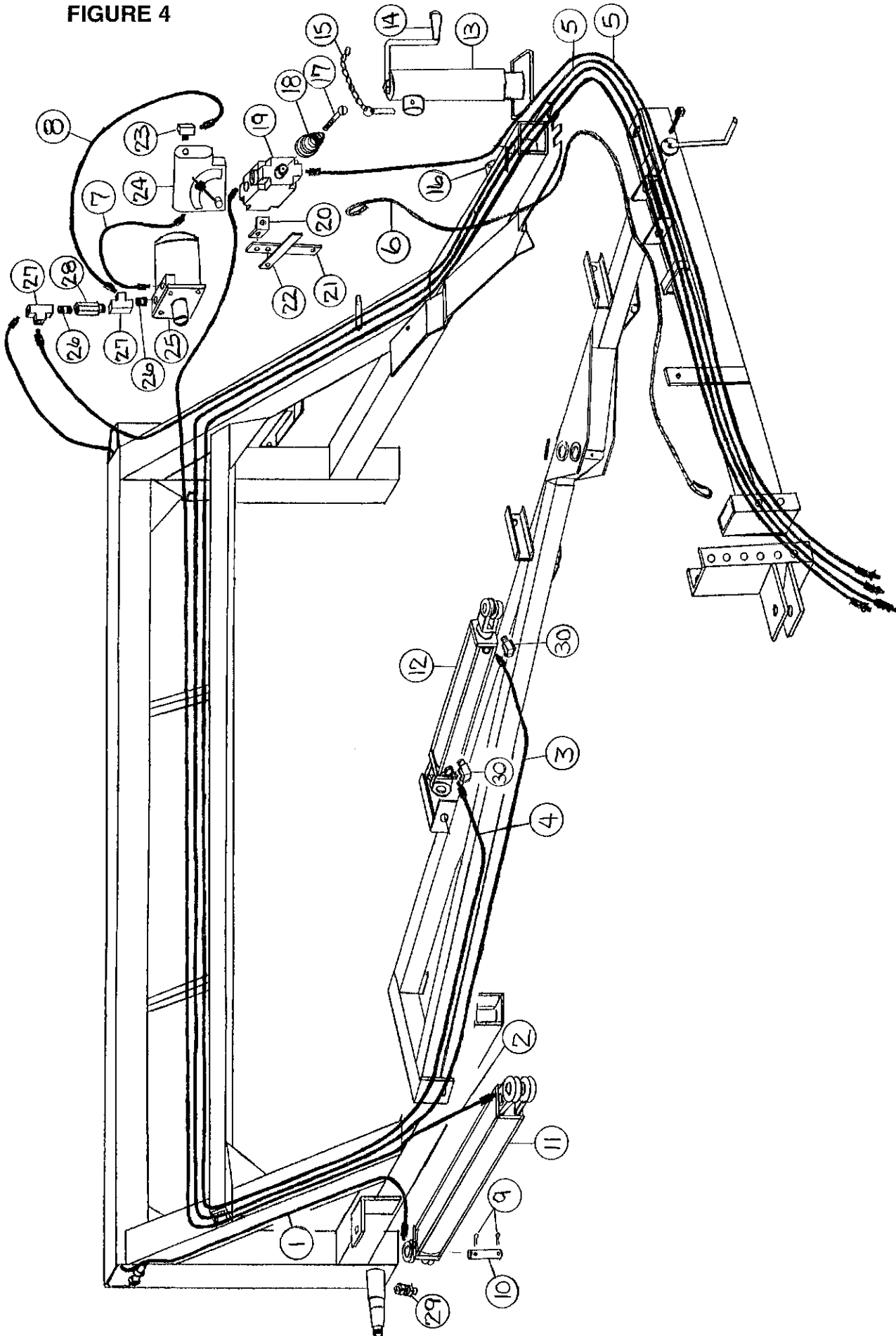


**FIGURE 3  
RAKE BEAM ASSEMBLY**

<b>ITEM</b>	<b>PART NO.</b>	<b>DESCRIPTION</b>
1.	BFR224	Bolt 1/2" X 4-1/2" Gr. 5
2.	BFR226	Poly Roller
3.	R29	Nut 1/2"
4.	BFR269	Bronze Washer (1)
5.	X26	Full Thread Bolt 3/8" X 3" Gr. 2
6.	BFR267	Brake Pad
7.	BFR268	Brake
8.	BFR625	Bronze Bushing (2)
9.	BFR280A	Wheel - Spoked
10.	BFR270	Complete Fork
11.	BFR271	Nylon Lock Nut 1"
12.	BFR272	Spacer
13.	BFR273	Seal
14.	BFR274	Bearing
15.	BFR275	Race
16.	BFR276	Hub (Only)
17.	BFR277	Tire
18.	T255	Axle Roller
19.	BFR32	Hub
20.	BFR339	Lug Bolt
21.	T164	Inner Bearing
*	T165	Inner Race
22.	T163	Seal
23.	BFR278	Spacer
24.	BFR279	Axle Shaft
25.	BFR179	Washer
26.	BFR313	Roll Pin
27.	T229	Hydraulic Lift Bracket
28.	T72	Cotter Pin
29.	PB13	Cylinder Pin
30.	T230	Rake Beam
31.	T168	10mm X 25mm Bolt
32.	BFR229	Steel Washer
33.	BFR221	Poly Washer
34.	S99	"O" Ring
35.	G16	Bushing
36.	BFR230	Spacer
37.	3G22	Roll Pin
38.	T231	Rake Wheel Arm
39.	BFR36	Rake Wheel Spindle
40.	BFR138	Spring
41.	BFR140	Chain
42.	BFR82	Pipe Clamp
43.	BFR256	Spring Bracket
44.	BFR83	Pipe Clamp
45.	T166	10mm Nut
46.	T232	Lifting Pipe
47.	BFR31	RH Rake Wheel
48.	T166	10mm Nut
49.	T175	10mm X 25mm Carr. Bolt
50.	T176	Rake Wheel Tooth
51.	T178	Rake Tooth Clip
52.	T179	Rake Wheel Center
53.	T169	Cotter Pin
54.	T173	Hub Cap
55.	T172	Nut
56.	T170	Outer Bearing
*	T171	Outer Race
57.	T143	Cyl. Pin
58.	T144	Clip Pin
59.	T177	Outer Ring

**NOTE:** \* (MEANS NOT SHOWN)

FIGURE 4



VIED FROM FRONT



**FIGURE 4  
RAKE HYDRAULICS**

ITEM	PART NO.	DESCRIPTION
1.	T233	Hyd. Hose 3/8" X 168"
2.	T234	Hyd. Hose 3/8" X 152"
3.	T235	Hyd. Hose 3/8" X 390"
4.	T236	Hyd. Hose 3/8" X 378"
5.	T237	Hyd. Hose 1/2" X 192"
6.	T238	Rope
7.	T239	Hyd. Hose 1/2" X 19"
8.	T240	Hyd. Hose 1/2" X 24"
9.	T144	Clip Pin
10.	T143	Cylinder Pin
11.	12V116	Cylinder
12.	BFR69	Hyd. Lift Cylinder
13.	BFR223	Jack
14.	B17B	Jack Handle
15.	BFR4	Jack Pin & Chain
16.	12N14	Jack Mount
17.	T247	Bolt
18.	T241	Spring
19.	16SV133	Selector Valve
20.	F92	Angle
21.	T242	Valve Handle
22.	T243	Valve Linkage
23.	HE58	Hydraulic Elbow 1/2"
24.	DF15	Speed Control Valve
25.	PB64	Hydraulic Motor
26.	DF7	Nipple 1/2"
27.	DF8	Tee 1/2"
28.	DF18	Check Valve
29.	T244	Adapter Union
30.	23N234	3/8" Elbow 90 Degree

FIGURE 5

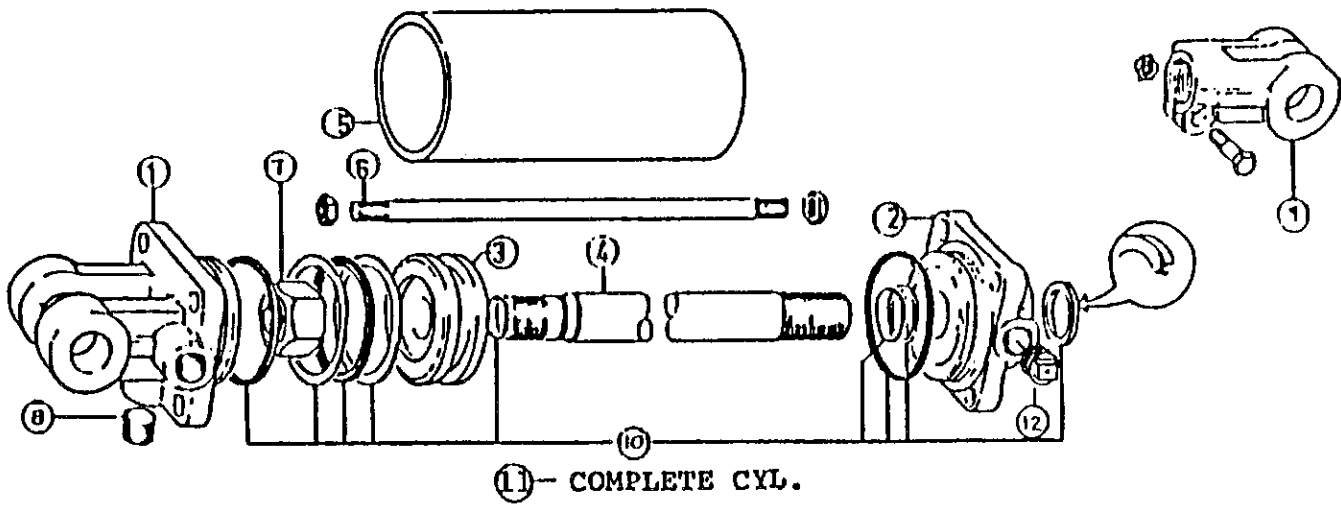


FIGURE 5  
HYDRAULIC LIFT CYLINDER

ITEM	PART NO.	DESCRIPTION
1.	23N142A	Clevis Cap
2.	23N143A	Rod Cap
3.	23N144	Piston
4.	T184A	Rod
5.	BFR68	Cyl. Tube
6.	T186	Tie Rod
7.	23N148	Piston Nut
8.	23N149	Plug
9.	23N150A	Rod Clevis
10.	23N151	Seal Kit
11.	BFR69A	Complete Cylinder
12.	BFR70	Vent Plug

FIGURE 6

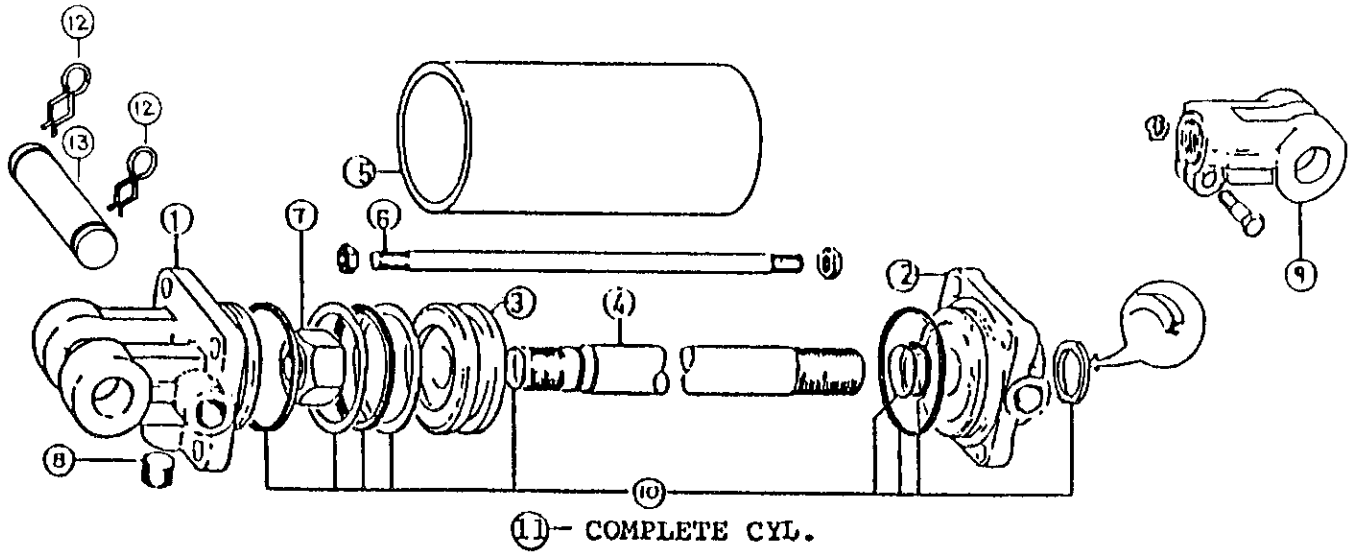
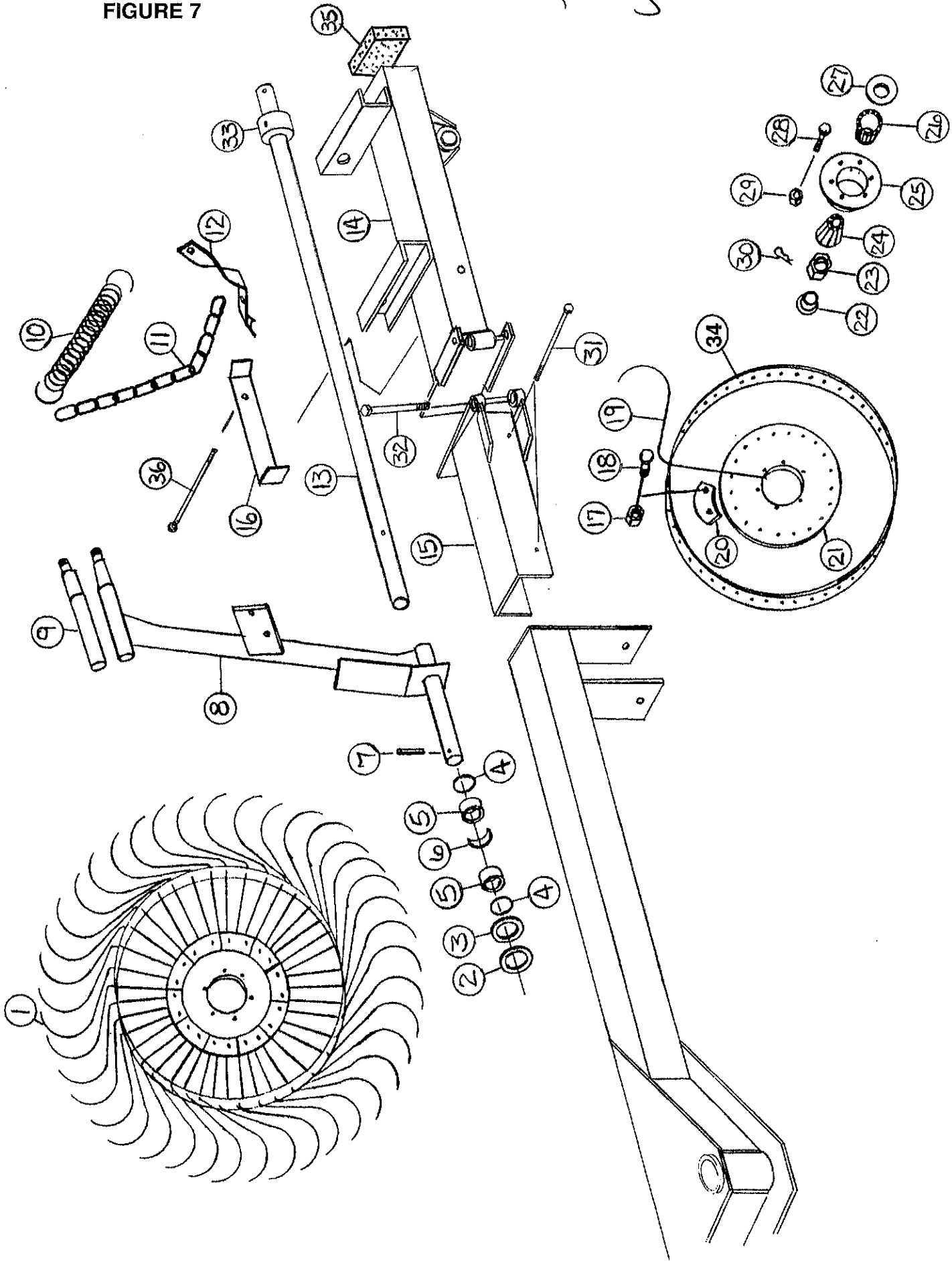


FIGURE 6  
HYDRAULIC OPENING CYLINDER

ITEM	PART NO.	DESCRIPTION
1.	23N142A	Clevis Cap
2.	23N143A	Rod Cap
3.	23N144	Piston
4.	23N145A	Rod
5.	23N146	Cyl. Tube
6.	23N147	Tie Rod
7.	23N148	Piston Nut
8.	23N149	Plug
9.	23N150A	Rod Clevis
10.	23N151	Seal Kit
11.	12V116A	Complete Cylinder
12.	T144	Clip Pin
13.	T143	Hyd. Cyl. Pin

FIGURE 7

*Doug*



**FIGURE 7**  
**OPTIONAL FOURTH WHEEL ASSEMBLY**

ITEM	PART NO.	DESCRIPTION
1.	BFR31	RH Rake Wheel
2.	BFR229	Steel Washer
3.	BFR221	Poly Washer
4.	S99	"O" Ring
5.	G16	Bushing
6.	BFR230	Spacer
7.	3G22	Roll Pin
8.	T231	Rake Wheel Arm
9.	BFR36	Rake Wheel Spindle
10.	BFR138	Spring
11.	BFR140	Chain
12.	BFR256	Spring Bracket
13.	T248	Lifting Pipe
14.	T251	Rake Beam Extension
15.	T249	Rake Beam Extension Bracket
16.	T284	Latch
17.	T166	10mm Nut
18.	T175	10mm X 25mm Carr. Bolt
19.	T176	Rake Wheel Tooth
20.	T178	Rake Tooth Clip
21.	T179	Rake Wheel Center
22.	T173	Hub Cap
23.	T172	Nut
24.	T170	Outer Bearing
*	T171	Outer Race
25.	BFR32	Hub
26.	T164	Inner Bearing
*	T165	Inner Race
27.	T163	Seal
28.	T168	10mm X 25mm Bolt
29.	T166	10mm Nut
30.	T169	Cotter Pin
31.	T253	3/8" X 4" Bolt Gr. 5
32.	RG174	5/8" X 5" Bolt Gr. 5
33.	BFR82	Pipe Clamp
34.	T177	Outer Ring
35.	BFR334	Foam Filler
36.	T285	Latch Fastener

**NOTE:** \* (MEANS NOT SHOWN)

